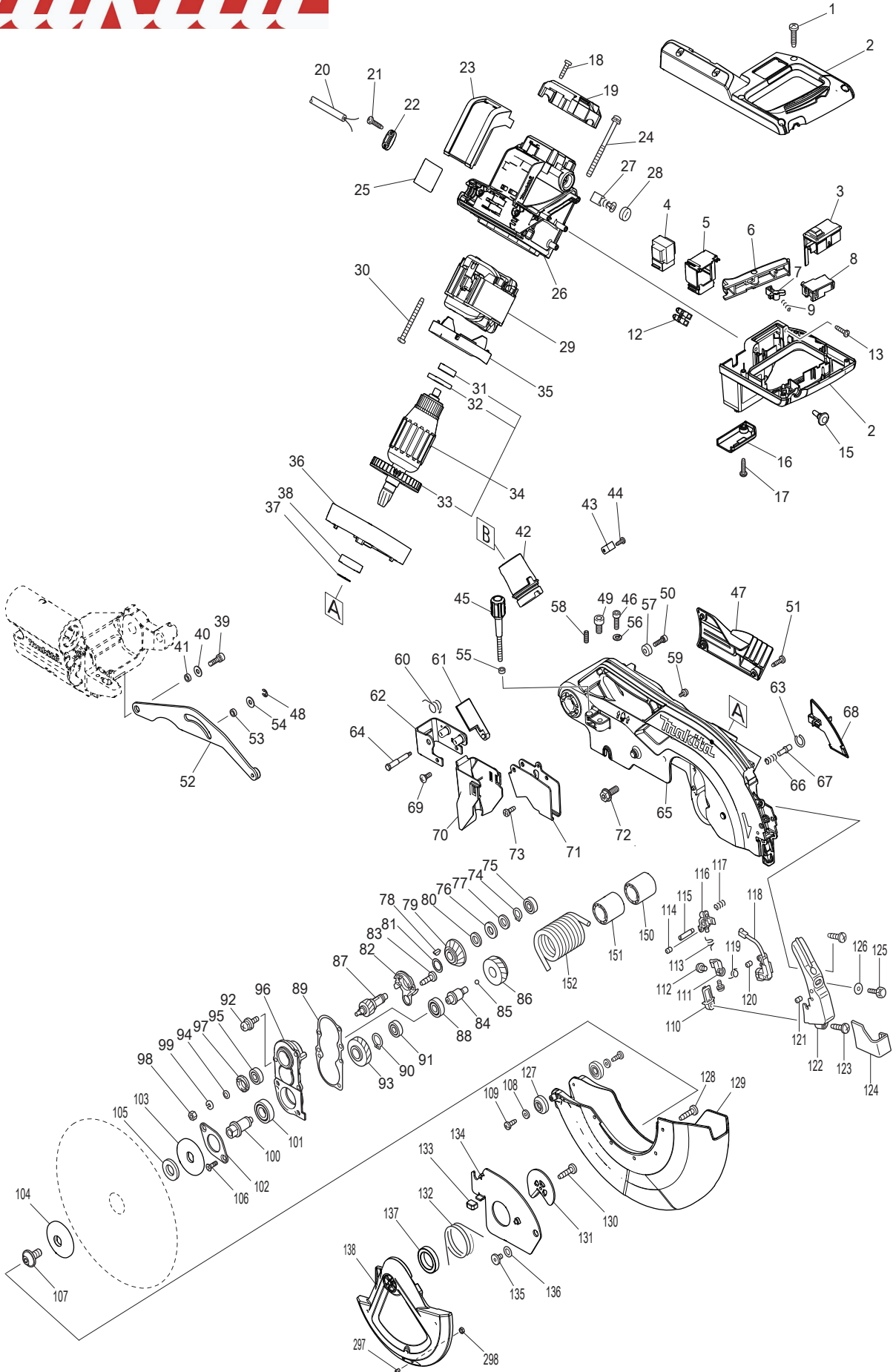


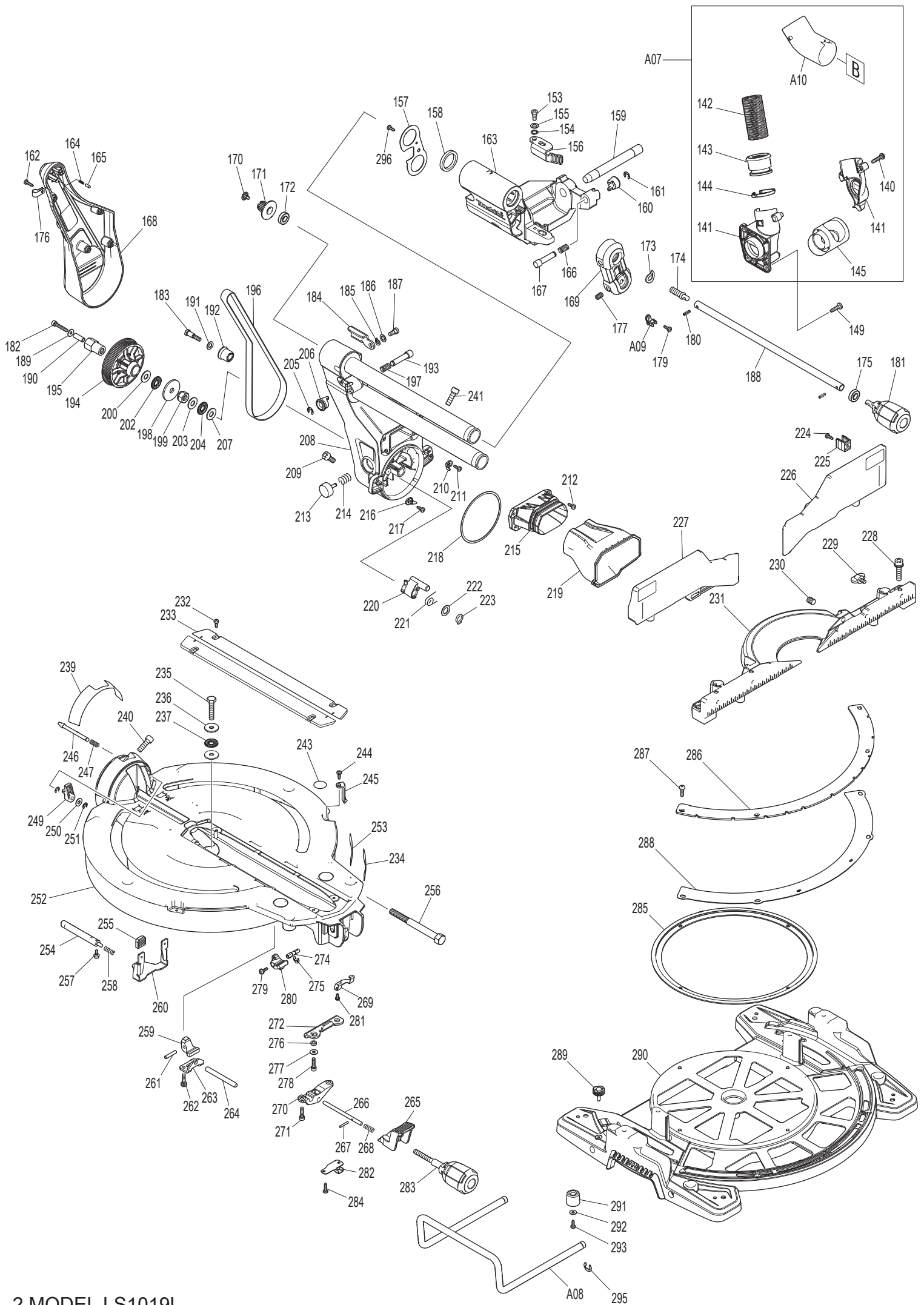


05 - 2017

LS1019L

10" Sliding Compound Mitre Saw w/Laser





PARTS LIST

Item No	Type	Part No	Description	Qty	Unit
001		265995-6	TAPPING SCREW M4X18	6	PC.
002		183H21-6	HANDLE SET	1	PC.
002	INC.	808641-4	SWITCH INDICATION LABEL	1	PC.
002	INC.	810484-2	CAUTION LABEL	1	PC.
003		638652-3	LASER SWITCH UNIT	1	PC.
004		620723-0	POWER SUPPLY CIRCUIT	1	PC.
005		451412-4	CASE F/CIRCUIT	1	PC.
006		451003-1	SWITCH LEVER	1	PC.
007		416356-5	LOCK-OFF LEVER	1	PC.
008		650687-4	SWITCH TGC32B	1	PC.
009		231026-3	COMPRESSION SPRING 4	1	PC.
013		265995-6	TAPPING SCREW M4X18	4	PC.
015		451037-4	SWITCH BUTTON	1	PC.
016		451000-7	LEAD COVER HOLDER	1	PC.
017		265995-6	TAPPING SCREW M4X18	1	PC.
018		265995-6	TAPPING SCREW M4X18	2	PC.
019		457652-2	REAR COVER	1	PC.
020		664463-0	CORD W/PLUG 2P-14-2.5M, SJ	1	PC.
021		265995-6	TAPPING SCREW M4X18	2	PC.
022		687124-5	STRAIN RELIEF	1	PC.
023		631863-9	CONTROLLER	1	PC.
024		911948-0	PAN HEAD SCREW M6X80 W/WR	4	PC.
025		853H90-8	NAME PLATE F/LS1019L	1	PC.
026		144532-8	MOTOR HOUSING COMPLETE	1	PC.
026	INC.	643653-8	BRUSH HOLDER 6.5-13.5	2	PC.
027		194986-9	CARBON BRUSH CB-154 2PC/SET W/ ORIGIN	1	SET
028		643650-4	BRUSH HOLDER CAP 6.5-13.5	2	PC.
029		590023-1	FIELD ASSY 115V	1	PC.
029	INC.	654020-2	RING TERMINAL	2	PC.
029	INC.	654502-4	CONNECTOR P-2	2	PC.
030		266418-7	TAPPING SCREW M5X55	2	PC.
031		210067-2	BALL BEARING 6000ZZ	1	PC.
032		681642-5	INSULATION WASHER	1	PC.
033		240001-8	FAN 80	1	PC.
034	INC.		Item No. 31-33		
034		510143-5	ARMATURE ASSY 115V	1	PC.
035		451001-5	BAFFLE PLATE	1	PC.
036		319591-3	MOTOR BRACKET	1	PC.

Item No	Type	Part No	Description	Qty	Unit
037		961057-5	RETAINING RING S-17	1	PC.
038		210301-0	BALL BEARING 6003DDW	1	PC.
039		922331-6	HSH BOLT M6X20	1	PC.
040		253804-1	FLAT WASHER 6	1	PC.
041		257163-5	RING 6	1	PC.
042	2	459250-8	* DUST NOZZLE	1	PC.
043		231928-3	RING SPRING 8	1	PC.
043		687042-7	STRAIN RELIEF	1	PC.
044	2	266034-5	TAPPING SCREW BIND CT M4X16	1	PC.
045		251554-2	THUMB SCREW M6X40	1	PC.
046		922332-4	HSH BOLT M6X20	1	PC.
047		457667-9	LOGO PLATE	1	PC.
048		961018-5	STOP RING E-5	1	PC.
049		251547-9	HSH BOLT M8X25	1	PC.
050		922226-3	HSH BOLT M5X18	1	PC.
051		266034-5	TAPPING SCREW CT M4X16	3	PC.
052		144529-7	LINK PLATE COMPLETE	1	PC.
053		257163-5	RING 6	1	PC.
054		253804-1	FLAT WASHER 6	1	PC.
055	2	262190-9	URETHANE RING 5	1	PC.
056	2	253428-3	SPRING WASHER 6	1	PC.
057		257785-1	SLEEVE 6	1	PC.
058		266321-2	HSH SET SCREW FLAT POINT M6X16	1	PC.
059		911114-9	PAN HEAD SCREW M4X10	2	PC.
060		232412-1	TORSION SPRING 11	1	PC.
061		457764-1	DUST GUIDE PLATE	1	PC.
062		161647-6	GUARD HOLDER	1	PC.
064		251544-5	SHOULDER HSH BOLT M4	1	PC.
065		144632-4	BLADE CASE COMPLETE	1	PC.
065	INC.	263005-3	RUBBER PIN 6	3	PC.
065	INC.	810106-4	CAUTION LABEL F/LASER BEAM	1	PC.
065	INC.	810124-2	CAUTION LABEL F/LASER BEAM	1	PC.
066		231240-1	COMPRESSION SPRING 7	1	PC.
067		256633-1	PIN 6	1	PC.
068		457659-8	LEAD COVER	1	PC.
069		265028-7	+PAN HEAD SCREW M4X11	1	PC.
070		422155-5	GUARD	1	PC.
071		347215-1	GUARD PLATE	1	PC.
072		266283-4	HSH BOLT M8X20	1	PC.

Item No	Type	Part No	Description	Qty	Unit
073		266020-6	TAPPING SCREW M4X12	1	PC.
074		961052-5	RETAINING RING S-12	1	PC.
075		210005-4	BALL BEARING 608DDW	1	PC.
076		261104-5	RUBBER WASHER 12	1	PC.
077		253744-3	FLAT WASHER 12	1	PC.
078		254001-2	WOODRUFF KEY 4	1	PC.
079		227550-2	SPIRAL BEVEL GEAR 32	1	PC.
080		253744-3	FLAT WASHER 12	1	PC.
081		253313-0	THIN WASHER 14	1	PC.
082		451002-3	GREASE HOLDER	1	PC.
083		266026-4	TAPPING SCREW BIND CT M4X12	2	PC.
084		325643-0	GEAR SHAFT	1	PC.
085	3	216049-2	STEEL BALL 4	1	PC.
086		227702-5	HELICAL GEAR 27	1	PC.
087		227701-7	HELICAL GEAR 14	1	PC.
088		210067-2	BALL BEARING 6000ZZ	1	PC.
089		442147-8	GASKET	1	PC.
090		961055-9	RETAINING RING S-15	1	PC.
091		210005-4	BALL BEARING 608DDW	1	PC.
092		911223-4	PAN HEAD SCREW M5X16	3	PC.
093		227703-3	HELICAL GEAR 28	1	PC.
094		267010-2	FLAT WASHER 5	1	PC.
095		210005-4	BALL BEARING 608DDW	1	PC.
096		158957-0	BEARING BOX COMPLETE	1	PC.
096	INC.	263002-9	RUBBER PIN 4	1	PC.
097		285847-5	BEARING RETAINER 14-23	1	PC.
098		931202-6	HEX NUT M5	1	PC.
099	2	253427-5	SPRING WASHER 5	1	PC.
100		325644-8	SPINDLE	1	PC.
101		211236-8	BALL BEARING 6002DDW/6002LLH	1	PC.
102		285732-2	BEARING RETAINER 51	1	PC.
103		224428-0	INNER FLANGE 46	1	PC.
104		224429-8	OUTER FLANGE 46	1	PC.
106		265034-2	+ COUNTERSUNK HEAD SCREW M5X16	2	PC.
107		266755-9	HSH BOLT M10X20	1	PC.
108		941051-3	FLAT WASHER 4	2	PC.
109		266020-6	TAPPING SCREW M4X12	2	PC.
110		418104-8	LENS	1	PC.
111		419378-4	BLOCK B	1	PC.

Item No	Type	Part No	Description	Qty	Unit
112		911003-8	PAN HEAD SCREW M3X6	2	PC.
113		231664-1	TORSION SPRING 9	1	PC.
114		266318-1	HSH SET SCREW FLAT POINT M4X6	1	PC.
115		266306-8	SHOULDER SCREW M5	1	PC.
116		419379-2	BLOCK C	1	PC.
117		233471-8	COMPRESSION SPRING 6	1	PC.
118		638651-5	LASER CIRCUIT COMPLETE	1	PC.
119		231664-1	TORSION SPRING 9	1	PC.
120		266318-1	HSH SET SCREW FLAT POINT M4X6	1	PC.
121		266229-0	HSH SET SCREW CUP POINT M5X8	2	PC.
122		457660-3	LASER COVER	1	PC.
123		266034-5	TAPPING SCREW CT M4X16	2	PC.
124		457664-5	PROTECTOR	1	PC.
125		265753-0	THUMB SCREW M5X24	1	PC.
126		253807-5	FLAT WASHER 5	1	PC.
127		424193-3	ROLLER	2	PC.
128		266385-6	TAPPING SCREW M4X14	3	PC.
129		457499-4	SEAFTY COVER B	1	PC.
130		266385-6	TAPPING SCREW M4X14	1	PC.
131		347213-5	CENTER PLATE	1	PC.
132		231634-0	TORSION SPRING 45	1	PC.
133		424190-9	CUSHION	1	PC.
134		347214-3	CENTER COVER	1	PC.
135		265985-9	HSH BOLT M6	1	PC.
136		253932-2	WAVE WASHER 10	1	PC.
137		210168-6	BALL BEARING 6805DDW	1	PC.
138	2	458437-9	* SAFETY COVER A	1	PC.
140	2	265995-6	* TAPPING SCREW M4X18 - removed	3	PC.
141	3	413J67-3	* HOSE CONNECTOR	1	PC.
142	2	245041-1	HOSE 28-0.45M	1	PC.
143	2	457672-6	* SLEEVE	1	PC.
144	2	457673-4	* STOPPER	1	PC.
145	1	457669-5	DUST NOZZLE (No longer used with Type2)	1	PC.
149		266034-5	TAPPING SCREW CT M4X16	3	PC.
150		457665-3	SLEEVE 17	1	PC.
151		457665-3	SLEEVE 17	1	PC.
152		233537-4	TORSION SPRING 35	1	PC.
153		251267-5	+PAN HEAD SCREW M6	1	PC.
154		253948-7	WAVE WASHER 8	1	PC.

Item No	Type	Part No	Description	Qty	Unit
155		253835-0	FLAT WASHER 8	1	PC.
156		347221-6	STOPPER ARM	1	PC.
157		347222-4	FRONT ARM PLATE	1	PC.
158		262076-7	FELT RING 30	2	PC.
159		326994-4	ROD 16	1	PC.
160		271437-0	KNOB 22	1	PC.
161		961013-5	STOP RING E-7	1	PC.
162		266034-5	TAPPING SCREW CT M4X16	4	PC.
163	INC.	263005-3	RUBBER PIN 6	2	PC.
163	INC.	816787-2	INDICATION LABEL	1	PC.
163		144655-2	FRONT ARM COMPLETE	1	PC.
164		233151-6	COMPRESSION SPRING 4	1	PC.
165		256364-2	PIN 4	1	PC.
166		232384-0	COMPRESSION SPRING 10	1	PC.
167		326977-4	STOPPER PIN	1	PC.
168		457653-0	ARM COVER	1	PC.
169	INC.	812X89-8	INDICATION LABEL	1	PC.
169		144658-6	HOLDER COMPLETE	1	PC.
170		265008-3	+FLAT HEAD SCREW M5	1	PC.
171		222191-9	PULLEY 17-19.3	1	PC.
172		210167-8	BALL BEARING 6900LLB	1	PC.
173		267804-5	WAVE WASHER 15	1	PC.
174		326975-8	SHAFT	1	PC.
175		210167-8	BALL BEARING 6900LLB	1	PC.
176		687042-7	STRAIN RELIEF	1	PC.
177		913416-9	SET SCREW (CUP POINT) M8X12	2	PC.
179		266026-4	TAPPING SCREW BIND CT M4X12	1	PC.
180		951107-4	SPRING PIN 4-14	2	PC.
181		273016-0	GRIP 50 B	1	PC.
182		265919-2	HSH BOLT M5X30	1	PC.
183		251545-3	SHOULDER HSH BOLT M6	1	PC.
184	INC.	812X87-2	INDICATION LABEL	1	PC.
184		144657-8	STOPPER LEVER COMPLETE	1	PC.
185		253948-7	WAVE WASHER 8	1	PC.
186		253835-0	FLAT WASHER 8	1	PC.
187		251267-5	+PAN HEAD SCREW M6	1	PC.
188		326987-1	PIN 9-365	1	PC.
189		253194-2	FLAT WASHER 5	1	PC.
190		257426-9	SLEEVE 5	1	PC.

Item No	Type	Part No	Description	Qty	Unit
191		253165-9	FLAT WASHER 8	1	PC.
192		457666-1	SLEEVE 20	1	PC.
193		326977-4	STOPPER PIN	1	PC.
194		222192-7	PULLEY 17-87.8	1	PC.
195		326980-5	HEX LOCK NUT M10-19	1	PC.
196		225101-5	SYNCHRO BELT 15-756	1	PC.
197		232384-0	COMPRESSION SPRING 10	1	PC.
198		253388-9	FLAT WASHER 10	1	PC.
199		252244-0	HEX LOCK NUT M10-17	1	PC.
200		253024-7	FLAT WASHER 10	1	PC.
202		216413-7	THRUST NEEDLE CAGE 1024	1	PC.
203		253024-7	FLAT WASHER 10	1	PC.
204		216413-7	THRUST NEEDLE CAGE 1024	1	PC.
205		961013-5	STOP RING E-7	1	PC.
206		271437-0	KNOB 22	1	PC.
207		253024-7	FLAT WASHER 10	1	PC.
208	INC.	812X88-0	INDICATION LABEL	1	PC.
208		144530-2	ARM COMPLETE	1	PC.
209		251547-9	HSH BOLT M8X25	1	PC.
210		457871-0	INDICATION PLATE R	1	PC.
211		266026-4	TAPPING SCREW BIND CT M4X12	1	PC.
212		266034-5	TAPPING SCREW CT M4X16	4	PC.
213		415208-7	RELEASE BUTTON	1	PC.
214		233031-6	COMPRESSION SPRING 12	1	PC.
215		457654-8	DUST GUIDE HOLDER	1	PC.
216		457870-2	INDICATION PLATE L	1	PC.
217		266026-4	TAPPING SCREW BIND CT M4X12	1	PC.
218		253389-7	WASHER 94	1	PC.
219		422156-3	DUST GUIDE	1	PC.
220		319593-9	STOPPER	1	PC.
221		231646-3	TORSION SPRING 14	1	PC.
222		253744-3	FLAT WASHER 12	1	PC.
223		961052-5	RETAINING RING S-12	1	PC.
224		266026-4	TAPPING SCREW BIND CT M4X12	2	PC.
225		457668-7	HOLDER	2	PC.
226	INC.	812X81-4	CAUTION LABEL	1	PC.
226		144648-9	UPPER FENCE R COMPLETE	1	PC.
227	INC.	812X81-4	CAUTION LABEL	1	PC.
227		144644-7	UPPER FENCE L COMPLETE	1	PC.

Item No	Type	Part No	Description	Qty	Unit
228		922458-2	H.S.H.BOLT M8X35 W/WR	4	PC.
229		251887-5	THUMB SCREW M6X10	2	PC.
230		251561-5	HSH SET SCREW M10X12	2	PC.
231		319584-0	GUIDE FENCE	1	PC.
232		266026-4	TAPPING SCREW BIND CT M4X12	4	PC.
233		451013-8	KERF BOARD	2	PC.
234		812X84-8	CAUTION LABEL	1	PC.
235		265442-7	HSH BOLT M8X40	1	PC.
236		253852-0	FLAT WASHER 8	2	PC.
237		216413-7	THRUST NEEDLE CAGE 1024	1	PC.
239		812X86-4	BEVEL SCALE LABEL	1	PC.
240		251547-9	HSH BOLT M8X25	1	PC.
241		251547-9	HSH BOLT M8X25	1	PC.
243		813L22-1	CAUTION LABEL	2	PC.
244		266026-4	TAPPING SCREW BIND CT M4X12	2	PC.
245		457702-3	INDICATION PLATE	2	PC.
246		326970-8	LOCK PIN 8	1	PC.
247		234122-6	COMPRESSION SPRING 6	1	PC.
249		457657-2	LEVER 25	1	PC.
250		253804-1	FLAT WASHER 6	1	PC.
251		961018-5	STOP RING E-5	2	PC.
252	INC.		Item No. 234,239,243,253		
252		144652-8	TURN BASE COMPLETE	1	PC.
253		812X82-2	CAUTION LABEL	1	PC.
254		326973-2	ROD 12	1	PC.
255		286039-9	CAP	2	PC.
256		326976-6	CENTER SHAFT	1	PC.
257		911113-1	PAN HEAD SCREW M4X10 W/WR	2	PC.
258		231325-3	COMPRESSION SPRING 6	1	PC.
259		310803-7	TURN STOPPER	1	PC.
260		347217-7	LEVER PLATE	1	PC.
261		256186-0	PIN 5	1	PC.
262		911231-5	PAN HEAD SCREW M5X20	2	PC.
263		347219-3	STOPPER HOLDER	1	PC.
264		326971-6	LOCK ROD	1	PC.
265		457656-4	LOCK LEVER	1	PC.
266		326969-3	LOCK PIN 6	1	PC.
267		256158-5	PIN 3	1	PC.
268		231325-3	COMPRESSION SPRING 6	1	PC.

Item No	Type	Part No	Description	Qty	Unit
269		347237-1	CAM PLATE	1	PC.
270		319592-1	PIN HOLDER	1	PC.
271		922231-0	HSH BOLT M5X20	2	PC.
272		347216-9	LOCK PLATE	1	PC.
274		326972-4	ROD 6	1	PC.
275		961011-9	STOP RING E-4	1	PC.
276		257425-1	RING 5	2	PC.
277		253194-2	FLAT WASHER 5	2	PC.
278		922231-0	HSH BOLT M5X20	2	PC.
279		911113-1	PAN HEAD SCREW M4X10 W/WR	1	PC.
280	INC.	263005-3	RUBBER PIN 6	1	PC.
280		144656-0	LEVER 25 COMPLETE	1	PC.
281		911008-8	PAN HEAD SCREW M3X8	1	PC.
282		345272-3	LOCK LEVER PLATE	1	PC.
283		273015-2	GRIP 50A	1	PC.
284		266026-4	TAPPING SCREW BIND CT M4X12	2	PC.
285		457655-6	SLIDE PLATE	1	PC.
286	2	347412-9	MITER SCALE PLATE	1	PC.
287		251546-1	+PAN HEAD SCREW M5	4	PC.
288		347218-5	MITER LOCK PLATE	1	PC.
289		265786-5	SCREW M5X16	2	PC.
290	2	310891-4	BASE	1	PC.
290	3	310891-4	BASE	1	PC.
291		421845-7	FOOT	4	PC.
292		267195-4	FLAT WASHER 4	4	PC.
293		266026-4	TAPPING SCREW BIND CT M4X12	4	PC.
295		961015-1	STOP RING E-9	2	PC.
296		266026-4	TAPPING SCREW BIND CT M4X12	1	PC.
297		266318-1	HSH SET SCREW FLAT POINT M4X6	1	PC.
A01		122852-0	DUST BAG ASSY	1	PC.
A01	INC.	410602-8	FASTENER	1	PC.
A02		126617-2	VERTICAL VISE ASSY	1	PC.
A03		762001-3	TRIANGLE RULER	1	PC.
A04		A-93675	10" CT BLADE 60T 5/8" MP	1	PC.
A05		781044-6	HEX WRENCH 6	1	PC.
A06		783208-8	HEX WRENCH 2.5	1	PC.
A07	2	127427-0	DUST NOZZLE ASSEMBLY	1	PC.
A07	2	INC. 458939-5	BUTTON A	1	PC.
A07	2	INC. 232485-4	COMPRESSION SPRING 5	1	PC.

Item No	Type	Part No	Description	Qty	Unit
A07	2	INC.	Item No. 140-144, A10		
A08	1	326978-2	HOLDER 200	2	PC.
A08	2	327095-1	HOLDER 200	2	PC.
A09		416536-3	WRENCH HOLDER	1	PC.
A10	1	457703-1	* ELBOW	1	PC.
A10	2	459249-3	* HOSE JOINT	1	PC.
A11		122470-4	HORIZONTAL VISE ASSY	1	PC.
A12		192628-9	CROWN MOLDING STOPPER (L.R)	1	SET
A13		WST05	MITRE SAW STAND SET (See Parts Breakdown WST05)	1	PC.
A13		WST06	MITRE SAW STAND SET (See Parts Breakdown WST06)	1	PC.
C01		820J35-3	CARTON F/ LS1019L	1	PC.

SERVICE CHANGES: LS1019L

1. Changes on Safety cover

(TI# C0751)

Item No.	Description	Type 1	Type 2
138	Safety Cover A	457498-6	458437-9
298	Hex Nut M4	931102-0	---

Above parts are completely interchangeable as a set.

2. Changes on Dust Nozzle Section

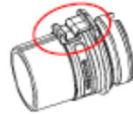
(TI# C8663)

Item No.	Description	Type 1	Type 2	Components of A07
42	Dust Nozzle	457704-9	459250-8	
A07	Dust Nozzle Assy	123980-4	127427-0	
INC.		Item No. 140-145, 149, A09	Item No. 140-144,	
INC.	Button A	---	458939-5	
INC.	Compression Spring 5	---	232485-4	
141	Dust Nozzle Connector	183G68-4	183H71-1	
145	Dust Nozzle A	457669-5	---	
A10	Elbow / Hose Joint	457703-1	459249-3	
143	Sleeve	457672-6 (2PC)	457672-6 (1PC)	
144	Stopper	457673-4 (2PC)	457673-4 (1PC)	

Above parts are completely interchangeable as a set.

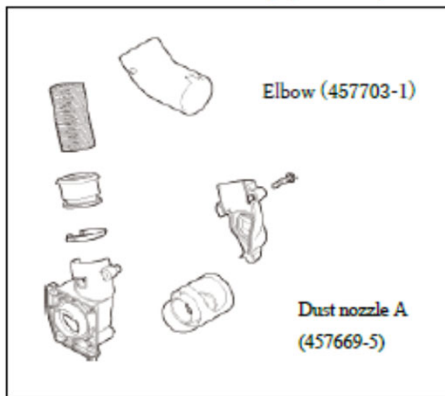


Dust nozzle (It is press-fit in place)
(457704-9)

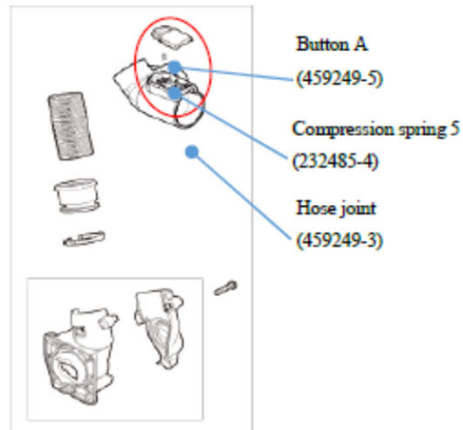


Dust nozzle (It is assembled with a click by button)
(459250-8)

Dust nozzle assembly (123980-4)



Dust nozzle assembly (127427-0)



3. Changes on BASE and HOLDER 200

(TI# C9366)

Item No.	Description	Type 1	Type 2	Type 3
290	BASE	319560-4	310891-4	310891-4
A08	HOLDER 200	326978-2	326978-2	327095-1

Above parts are completely interchangeable as a set.

Note: Be sure to use the new Holders (327095-1) when Base is replaced for repair.

